

H6 MINI DOME CAMERA

2 MP

3 MP

5 MP

The Avigilon H6 Mini Dome brings an exceptional level of protection to indoor spaces with high-resolution images of up to 5 MP, a wide field of view and efficient bandwidth management in a compact design. This makes it an ideal solution for retail, commercial, hospitality and general indoor applications that require a small footprint, fixed lens camera without compromising on interior aesthetics.



FEATURES



INTELLIGENT MOTION, POWERED BY NEXT-GENERATION VIDEO ANALYTICS

Empowers operators to respond faster to potentially critical events with Unusual Activity Detection and classified object motion detection built into the camera.¹



OPTIONAL IR ILLUMINATORS

Offers excellent image detail in low-light settings.



WIDE DYNAMIC RANGE

Captures high-quality image details in scenes with both very bright and very dark areas.



ONVIF® COMPLIANT

ONVIF Profile S and T compliance enables easy integration with existing ONVIF infrastructures. Profile G compliance supports search, playback and retrieval of recordings on the edge.



H.265 & H.264 HDSM SMARTCODEC™ TECHNOLOGY

Optimizes compression levels for regions in a scene to help maximize bandwidth savings and keep internet connectivity costs down.



WIDE FIELD OF VIEW

Provides superior situational awareness of a facility with two fixed lens options available: 2.9 mm and 2.4 mm.



QUICK & EASY INSTALLATION

The camera's modular design allows it to snap into various indoor mounting options for fast and easy installations.



FIPS 140-2 COMPLIANT

Brings increased data security with FIPS-compliant cryptography enabled on cameras.²

¹ Analytic capabilities on the H6 Mini Dome include Unusual Activity Detection and classified object motion detection to generate motion-based recordings from the presence of classified objects only. Advanced Analytic Event configurations (e.g. Objects in Area), Appearance Search, Face Recognition, and other ACC server analytics are not available for use with H6 Mini Dome cameras.

² Optional purchase of FIPS Level 1 camera license of CRYPTR microSD hardware-based encryption and key management for FIPS Level 3 support and certification.

ONVIF is a trademark of Onvif, Inc.

SPECIFICATIONS

IMAGE PERFORMANCE		2.0 MP	3.0 MP	5.0 MP
Image Sensor		1/2.8" Progressive Scan CMOS		
Imaging Area		4.8 mm x 2.7 mm; 0.189" x 0.106"	5.18 mm x 3.89 mm; 0.204" x 0.153"	
Max Image Rate		(50 Hz/60 Hz): 25 fps/30 fps		
Streaming Resolutions	Primary	1920 x 1080	2048 x 1536; 1920 x 1080	2592 x 1944; 2048 x 1536; 2560 x 1440; 1920 x 1080
	Secondary	720 x 480; 640 x 360; 512 x 288; 384 x 216	720 x 536; 640 x 480; 512 x 384; 384 x 288; 720 x 480; 640 x 360; 512 x 288; 384 x 216	720 x 536; 640 x 480; 512 x 384; 384 x 288; 720 x 480; 640 x 360; 512 x 288; 384 x 216
Dynamic Range	WDR Off	100 dB		
	WDR On	120 dB		
Camera Operating Mode		N/A		Full Feature / High Framerate
Bandwidth Management		HDSM SmartCodec technology; Idle scene mode		
3D Noise Reduction Filter		Yes		

LENS AND IR ILLUMINATION		2.0 MP	3.0 MP	5.0 MP
Lens		2.95 mm	D1 2.95 mm D2 2.4 mm	
IR Illumination (high power 850 nm LEDs)		10 m (33 ft) max. distance at 0 lux		
Minimum Illumination	With IR	0		
	Without IR	0.005 lux in monochrome mode; 0.01 lux in color mode	0.01 lux in monochrome mode; 0.02 lux in color mode	
Horizontal Angle of View (HFOV)		(16:9) 108 °	D1 (4:3) 100 ° D1 (16:9) 100 ° D2 (4:3) 123 ° D2 (16:9) 123 °	
Vertical Angle of View (VFOV)		(16:9) 61 °	D1 (4:3) 75 ° D1 (16:9) 54 ° D2 (4:3) 93 ° D2 (16:9) 69 °	
Max Aperture		F2.0	D1 F2.0 D2 F2.1	
Control		Fixed iris		

IMAGE CONTROL	
Image Compression Method	H.264 HDSM SmartCodec, H.265 HDSM SmartCodec, Motion JPEG
Streaming	Multi-stream H.264, Multi-stream H.265, Motion JPEG
Motion Detection	Pixel motion: Selectable sensitivity and threshold. Classified Object Motion Detection.
Camera Tamper Detection	Yes
Electronic Shutter Control	Automatic, Manual (1/7.5 to 1/8000 sec)
Iris Control	Fixed
Day/Night Control	Automatic, Manual
Flicker Control	50 Hz, 60 Hz
White Balance	Automatic, Manual
Backlight Compensation	Adjustable
Privacy Zones	Up to 64 zones

NETWORK	
Network	100BASE-TX
Cabling Type	CAT5

NETWORK	
Connector	RJ-45
ONVIF	ONVIF compliance Profile S, Profile T and Profile G (www.onvif.org)
Security	Password protection, HTTPS encryption, digest authentication, WS authentication, user access log, 802.1x port based authentication, FIPS 140-2 L1 (with optional camera license), FIPS 140-2 L3 (with optional accessory)
Protocols	IPv6, IPv4, HTTP, HTTPS, SOAP, DNS, NTP, RTSP, RTCP, RTP, TCP, UDP, IGMPv2, ICMP, DHCP, Zeroconf, ARP, HSTS
Streaming Protocols	RTP/UDP, RTP/UDP multicast, RTP/RTSP/TCP, RTP/RTSP/HTTP/TCP, RTP/RTSP/HTTPS/TCP, HTTP
Device Management Protocols	SNMP v2c, SNMP v3

PERIPHERALS	
Onboard Storage	microSD/microSDHC/microSDXC slot – video speed class card required. Class V10 or better recommended.

MECHANICAL		SURFACE MOUNT	IN-CEILING MOUNT	PENDANT MOUNT
Dimensions (L x W x H)	Camera Assembly:	2.9 " x 2.9 " x 2.5 " (75 mm x 75 mm x 63 mm)	3.6 " x 3.6 " x 4.3 " (91 mm x 91 mm x 108 mm)	3.1 " x 3.1 " x 6.1 " (80 mm x 80 mm x 155 mm)
	Accessory Only:	N/A	3.6 " x 3.6 " x 3.0 " (91 mm x 91 mm x 78 mm)	3.1 " x 3.1 " x 4.1 " (80 mm x 80 mm x 103 mm)
Weight		166 g (318 g in box)	54 g (160 g in box; 190 g assembled)	82 g (183 g in box; 218 g assembled)
Max. Ceiling Thickness		N/A	1.0" (25mm)	N/A
Dome Bubble		Polycarbonate		
Body		Polycarbonate and aluminum		
Housing		Surface mount	Recessed mount	Pendant mount
Finish		Plastic Inj Mold close to RAL9002 and Black; Powdercoat Black		Plastic Inj Mold close to RAL9002 or Black

ELECTRICAL		SURFACE MOUNT	IN-CEILING MOUNT	PENDANT MOUNT
Power Consumption		6 W		
Power Source		PoE: IEEE 802.3af Class 2 compliant		
IR Illuminator Behavior		IR illuminator will turn off if the temperature is 47 °C (117 °F) or higher. The illuminator will operate at 50% power if the temperature is between 45°C (113 °F) and 47 °C (117 °F). Hysteresis: 2 °C (3.6 °F).		
Power Connector		N/A		
RTC Backup Battery		3 V manganese lithium		

ENVIRONMENTAL	
Operating Temperature	-10 °C to +50 °C (14 °F to 122 °F)
Boot Temperature	0°C to +50 °C (32 °F to 122 °F)
Storage Temperature	-30 °C to +70 °C (-22 °F to 158 °F)
Humidity	0 - 95% non-condensing
Environment	Indoor applications

CERTIFICATIONS	
Certifications/Directives	UL, cUL, CE, ROHS, RCM, UKCA, EAC, NOM, KC, BIS
Safety	UL 62368-1, CSA 62368-1, IEC/EN 62368-1, IEC 62471
Electromagnetic Emissions	FCC Part 15 Subpart B Class B, IC ICES-003 Class B, EN 55032 Class B, EN 61000-6-3, EN 61000-3-2, EN 61000-3-3
Electromagnetic Immunity	EN 55035, EN 61000-6-1

ANALYTICS SPECIFICATIONS

SUPPORTED ANALYTICS EVENTS

Smart Motion Rule	Motion events are sent for person or vehicle present, based on user selected motion settings.
Tamper Detection	The event is triggered when the scene unexpectedly changes.

SUPPORTED CLASSIFIED OBJECT TYPES

Supported Object Types	Vehicle, sub-types: Car, Bicycle, Motorcycle, Bus Person
------------------------	-------------------------------------------------------------

TEACH BY EXAMPLE

Teach By Example	Yes, when used with Avigilon Control Center™
------------------	----------------------------------------------

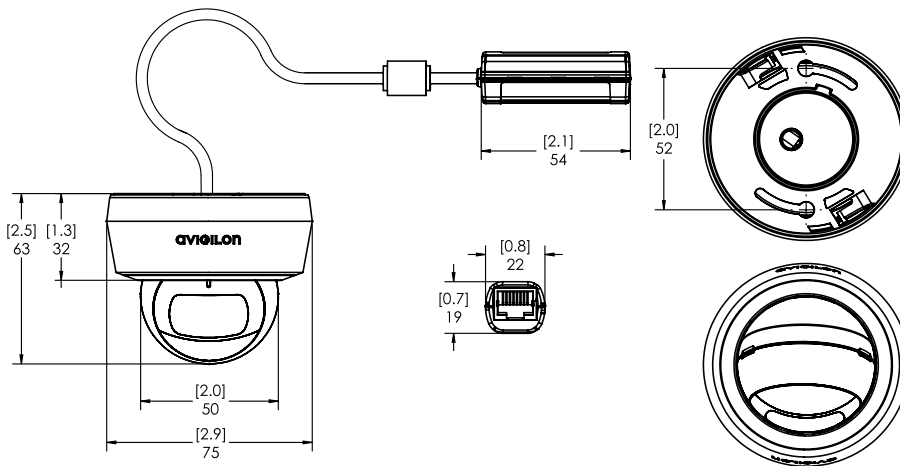
AVIGILON CONTROL CENTER (ACC) VERSIONS SUPPORTED FEATURES

ACC Version 7.2 or higher	Motion Search for classified objects and Unusual Activity Detection. H.265 supported.
---------------------------	------------------------------------------------------------------------------------------

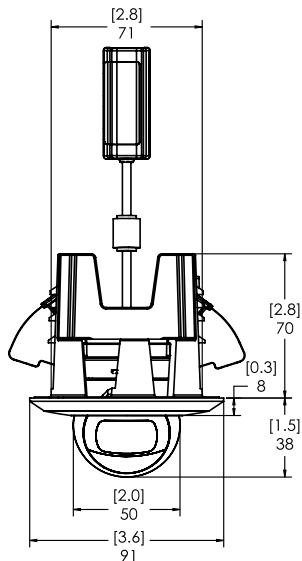
OUTLINE DIMENSIONS

[X.X]	INCHES
X	MM

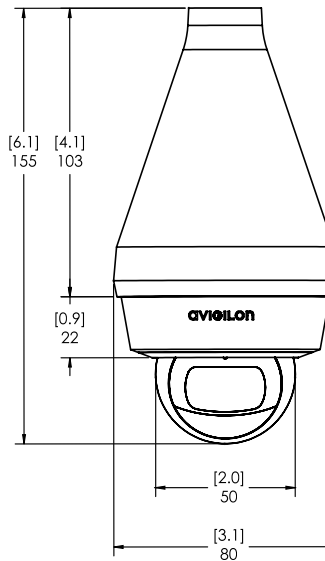
SURFACE MOUNT



IN-CEILING MOUNT



PENDANT MOUNT



ORDERING INFORMATION

	MP	WDR	LIGHTCATCHER TECHNOLOGY	LENS	IR	HDSM SMARTCODEC
2.0C-H6M-D1-IR	2.0	✓	✓	2.9 mm	✓	✓
2.0C-H6M-D1	2.0	✓	✓	2.9 mm		✓
3.0C-H6M-D1-IR	3.0	✓	✓	2.9 mm	✓	✓
3.0C-H6M-D1	3.0	✓	✓	2.9 mm		✓
3.0C-H6M-D2-IR	3.0	✓	✓	2.4 mm	✓	✓
5.0C-H6M-D1-IR	5.0	✓	✓	2.9 mm	✓	✓
5.0C-H6M-D2-IR	5.0	✓	✓	2.4 mm	✓	✓
H6M-BZL1-BL	Pack of 5 black surface mount bezels					
H6M-BZL1-GRY	Pack of 5 grey surface mount bezels					
H6M-MT-DCIL1	Grey in-ceiling mount adapter					
H6M-MT-DCIL1-BL	Black in-ceiling mount adapter					
H6M-MT-NPTA1	Grey pendant mount adapter					
H6M-MT-NPTA1-BL	Black pendant mount adapter					

SUPPORT

Learn more and find additional documentation at avigilon.com or email sales@avigilon.com for specific product support.



May 2022 | Rev 1

© 2022, Motorola Solutions, Inc. All rights reserved. MOTOROLA, MOTO, MOTOROLA SOLUTIONS, and the Stylized M Logo are trademarks or registered trademarks of Motorola Trademark Holdings, LLC and are used under license. AVIGILON, the AVIGILON logo, AVIGILON CONTROL CENTER, ACC, HDSM SmartCodec and LIGHTCATCHER are trademarks of Avigilon Corporation. The absence of the symbols ™ and ® in proximity to each trademark in this document or at all is not a disclaimer of ownership of the related trademark. All other trademarks are the property of their respective owners.